

VZAL



VZ0.2AL



VZ2AL

Your advantages

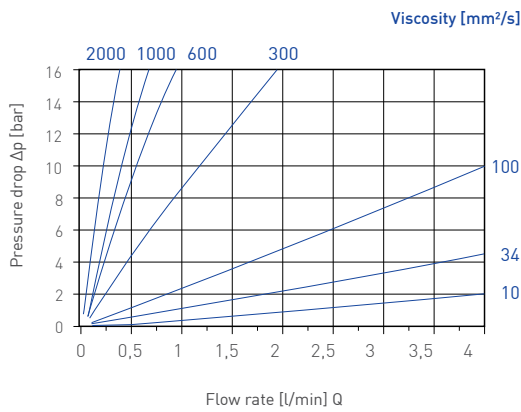
Series

VZAL

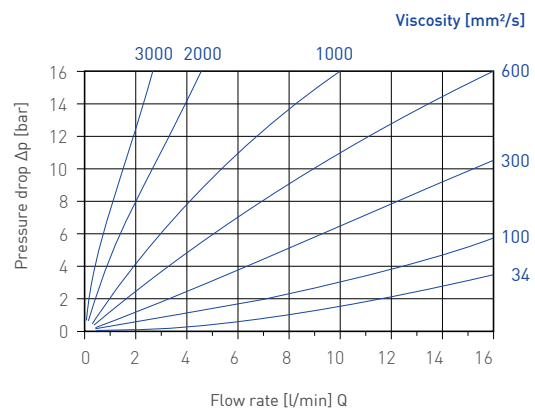
- Variety of casing and sealing materials → Universally use for different measurement media
- Standard process connection via connecting plates → Quickly replaceable without lengthy interruption to the process
- Output signal: pulse signal

Type	VZ0.04AL	VZ0.2AL	VZ2AL	VZ5AL
Technical data				
Size	0.04	0.2	2	5
Process connection	G $\frac{1}{4}$	G $\frac{3}{8}$	G $\frac{3}{4}$	G 1
Measuring range [l/min]*	0.02...4	0.16...16	1...65	1...200
Geometric gear volume [cm³]	0.04	0.245	2	5.222
Measuring accuracy	±2 % of reading	±1 % of reading	±2,5 % of reading	±1 % of reading
Repeatability	Up to 0.5 % under same conditions			
Start of gear wheel rotation [l/min]	0.004	0.01	0.12	0.1
Viscosity of medium	20...4000 mm ² /s	1...3000 mm ² /s	20...4000 mm ² /s	20...4000 mm ² /s
Medium temperature range	-10...80 °C integrated preamplifier 0...60 °C without preamplifier (for TD8250)			
Ambient temperature	-10...80 °C			
Pressure rating	Max. 200 bar	Max. 160 bar	Max. 160 bar	Max. 80 bar
Pressure peaks	Max. 240 bar	Max. 200 bar	Max. 200 bar	Max. 100 bar
Indication	Cable socket with one LED for pulse signal	Cable socket with two LED for pulse signal (two channels)	Cable socket with one LED for pulse signal	Cable socket with one LED for pulse signal
Degree of protection EN 60529	IP65			
Weight [kg]	0.5	0.7	1.9	6
Output signals				
→ Puls rate [Pulse/l]	25 000	4081.63	500	191.5
→ Resolution [ml/Puls]	0.04	0.245	2	5.222
→ Signal shape	Pulse signal, squarewave, PNP, pulse duty ratio 1:1 ±15 %			
Electrical data				
Electrical connection	Plug connector cable socket			
Power supply	12...30 V DC reverse polarity protection			
Power consumption [short-circuit proof]	0.6 W	0.9 W	0.6 W	0.6 W

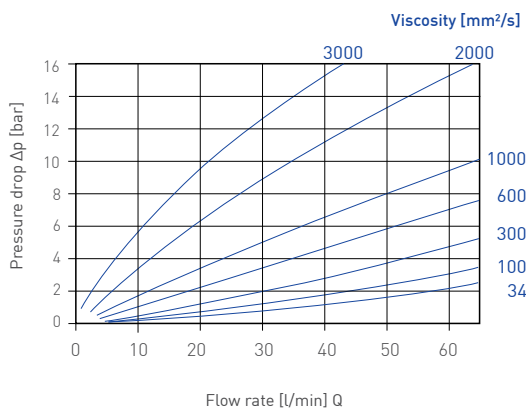
Typical pressure drop VZ0.04AL



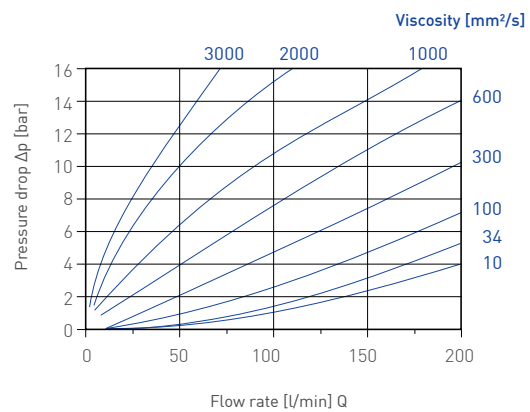
Typical pressure drop VZ0.2AL



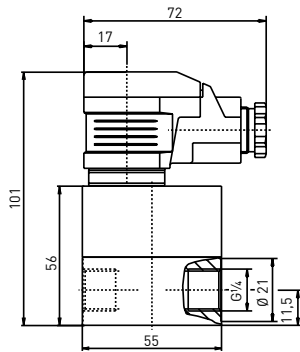
Typical pressure drop VZ2AL



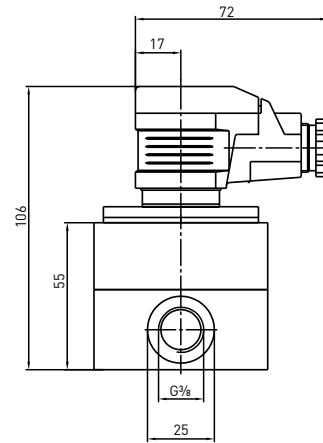
Typical pressure drop VZ5AL



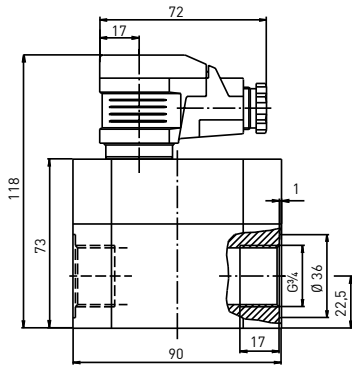
VZ0.04AL



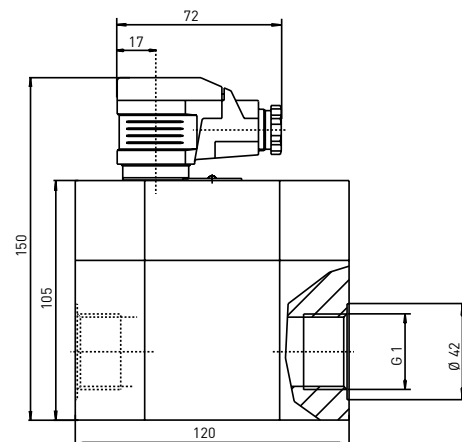
VZ0.2AL



VZ2AL



VZ5AL



Material

Type	VZ0.04AL	VZ0.2AL	VZ2AL	VZ5AL
Housing	Aluminium, gold-colour anodised	Aluminium, gold-colour anodised	Aluminium AlMgSi F30 (hard coated)	Aluminium AlMgSi F30 (hard coated)
Gear wheels	Stainless steel 1.4462	Steel 1.7139	Steel 1.7139	Steel 1.7139
Bearings	Ball bearings	Ball bearings stainless steel	Sleeve bearings (P10)	Ball bearings
Seals	FKM	FKM	FKM	FKM

Order code

Type	Size	
VZ0.04AL	0.04	VZ004ALV31
VZ0.2AL	0.2	VZ020ALV31
VZ2AL	2	VZ200ALV31
VZ5AL	5	VZ500ALV31
Pre-amplifier		
Integrated		I00S
Without pre-amplifier (for TD8250)		K00S
Example order number		VZ004ALV31 I00S